

Programmable Logic Controllers

EH-150 Series

Modular Compact PLC

HITACHI
Inspire the Next



- Various communication options
- Economic
- Various models
- Individually adaptable to customer requirements thanks to high-performance CPU and specialised I/O modules
- Up to 3520 I/Os
- 2 serial interfaces
- Quality assurance to ISO 9001 and ISO 14001
- 32 Bit-RISC-Microprocessor
- Open for various fieldbus systems: Profibus-DP, DeviceNet, Modbus-RTU, Ethernet

PROFI
PROCESS FIELD BUS
BUS

DeviceNet.

Ethernet



Programmable Logic Controllers

EH-150 Series

Modular Compact PLC

CPU Modules

Model	Specifications
EH-CPU104A	16 kByte Program memory, 2 x RS-232 (19.2 kbps), max. 8 I/O modules, 1 μ s cycle time
EH-CPU208A	32 kByte Program memory, real-time clock, 2 x RS-232 (38.4 kbps), max. 16 I/O modules, 1 μ s cycle time
EH-CPU316A	64 kByte Program memory, real-time clock, 1 x RS-232 + 1 x RS-422/485, max. 16 I/O modules, communication module control function, memory card control function, 1 μ s cycle time
EH-CPU516	64 kByte Program memory, real-time clock, 1 x RS-232 + 1 x RS-422/485, max. 33 I/O modules, communication module control function, memory card control function, 0.1 μ s cycle time
EH-CPU548	192 kByte Program memory, real-time clock, 1 x RS-232 + 1 x RS-422/485, max. 55 I/O modules, communication module control function, memory card control function, 0.1 μ s cycle time

Memory Cards

Model	Specifications
EH-MEMP	Memory copy function, 192 kByte Flash memory
EH-MEMD	Memory copy function, 64 kByte flash memory, 384 kWord flash data memory

Base Racks

Model	Specifications
EH-BS3A	Slots for 3 I/O modules + power supply module + CPU module
EH-BS5A	Slots for 5 I/O modules + power supply module + CPU module
EH-BS8A	Slots for 8 I/O modules + power supply module + CPU module
EH-BS11A	Slots for 11 I/O modules + power supply module + CPU module

Power Supplies

Model	Specifications
EH-PSA	Input AC 100 - 240V, Output DC 5V, 3.8A, separate, external DC 24V, 0.4A
EH-PSD	Input DC 24V, Output DC 5V, 3.8A

I/O Controller

Model	Specifications
EH-IOCH2	I/O controller module, (one unit / one expansion base, EH-CPU104A is not expandable)
EH-IOCP	Profibus-DP slave I/O controller
EH-IOCD	DeviceNet slave I/O controller

High Function Modules

Model	Specifications
EH-CU	High speed counter module, max. 100 kHz, 32 bits, 2 channels
EH-CUE	High speed counter module, max. 100 kHz, 32 bits, 1 channel
EH-POS	1 Axis positioning module, max. frequency 400k pulse/s
EH-POS4	4 Axes positioning module, max. frequency 1M pulse/s



Series

Communication Modules

Model	Specifications
EH-SIO	Serial communication module (RS-232C/RS-422/485, Hi-Protocol, Modbus master/slave protocol)
EH-LNK	CPU Link module, coaxial cable
EH-RMD	DeviceNet based master module for distributed I/O system, 1024 points per master module, 63 slave stations can be connected to one master
EH-RMP	Profibus-DP based master module for distributed I/O system, 1024 points per master module, 124 slave stations can be connected to one master
EH-ETH	Ethernet module TCP/IP/, UDP/IP protocol, 10Mbps

Analog Output Modules

Model	Specifications
EH-AY4I	Analog output, 12 bits resolution 4ch current (4 - 20 mA)
EH-AY4V	Analog output, 12 bits resolution 4ch voltage (0 - 10 V)
EHAY4H	Analog output, 12 bits resolution 4ch voltage (-10 to + 10V)
EH-AY22	Analog output, 12 bits resolution 2ch current (4 - 20 mA) + 2ch voltage (0 - 10 V)
EH-AY2H	Analog output, 12 bits resolution 2ch voltage (-10 to +10V)
EH-AYH8M	Analog output, 12 bits resolution 8ch [voltage (0 - 10V), or current (0 - 22mA, 4 - 22mA)]

Output Modules

Model	Specifications
EH-YT8	8 points, DC 12/24V, transistor output, removable terminal block, sink type, 0.5 A
EH-YT16	16 points, DC 12/24V, transistor output, removable terminal block, sink type, 0.5 A
EH-YT32	32 points, DC 12/24V, transistor output, connector type, sink type, 0.2 A
EH-YT32E	32 points, DC 12/24V, transistor output, european connector type, sink type, 0.2 A
EH-YT64	64 points, DC 12/24V, transistor output, connector (2x) type, sink type, 0.1 A
EH-YTP8	8 points, DC 12/24V, transistor output, removable terminal block, source type, 0.5 A
EH-YTP16	16 points, DC 12/24V, transistor output, removable terminal block, source type, 0.5 A
EH-YTP16S	16 points, DC 12/24V, Transistor Output, Removable Terminal Block, Source Type, 0.8 A, short circuit protection
EH-YTP32	32 points, DC 12/24V, transistor output, connector type, source type, 0.2 A
EH-YTP32E	32 points, DC 12/24V, transistor output, european connector type, source type, 0.2 A
EH-YTP64	64 points, DC 12/24V, transistor output, connector (2x) type, source type, 0.1 A
EH-YS4	4 points, AC 100 - 240V, 0.5 A, SSR, photocoupler isolation, removable terminal block
EH-YR12	12 points, AC 100 - 240 / DC 24V, relay output 2 A, photocoupler isolation, removable terminal block
EH-YR16	16 points, AC 100 - 240 / DC 24V, relay output 2 A, photocoupler isolation, removable terminal block
EH-YR8B	8 points, AC 100 - 240 / DC 24V, relay Output 2 A, photocoupler isolation, removable terminal block, potential free contacts

es EH-150



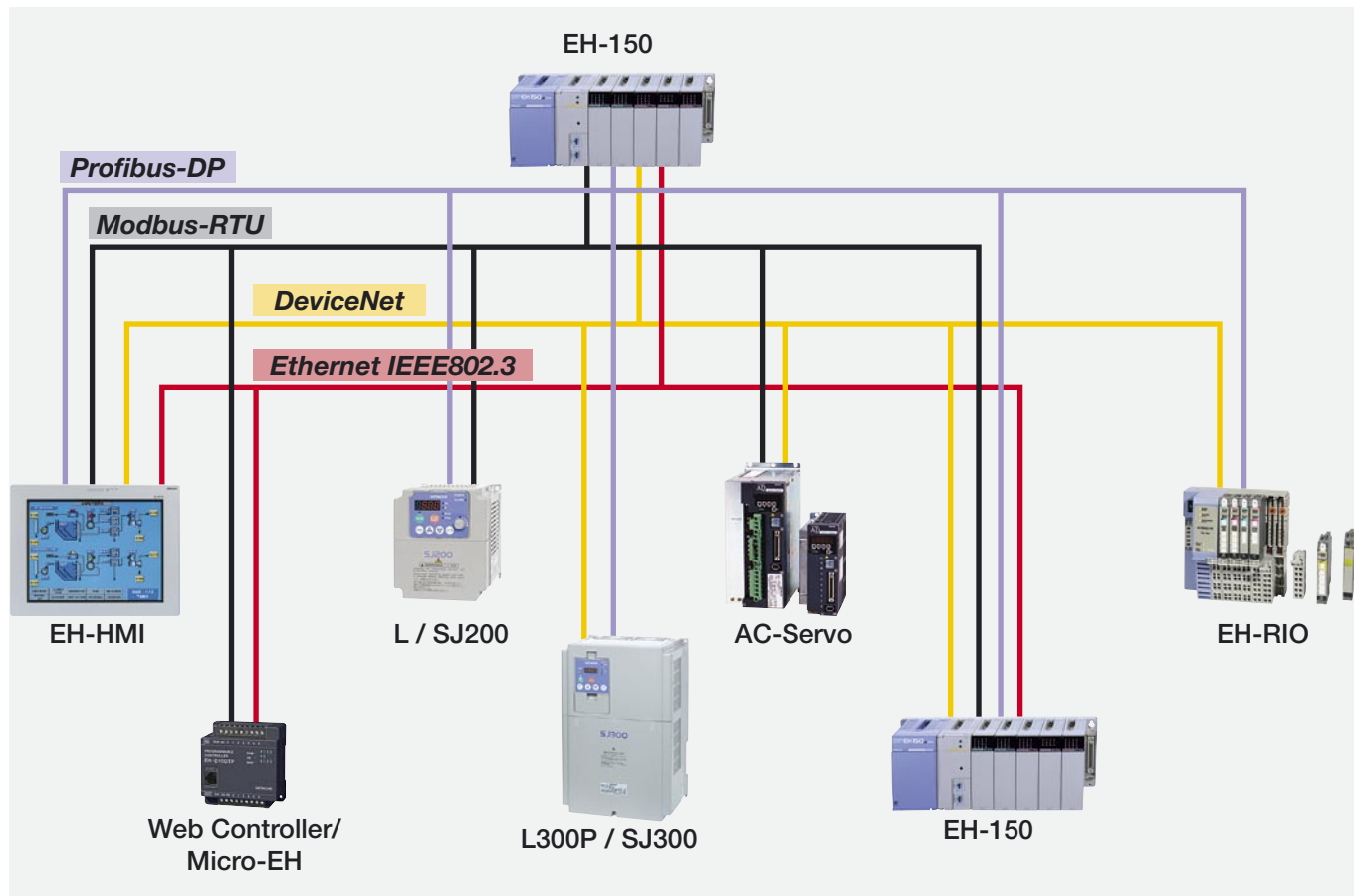
Analog Input Modules

Model	Specifications
EH-AX44	Analog input, 12 bits resolution 4ch current (4 - 20 mA) + 4ch voltage (0 - 10 V)
EH-AXH8M	Analog input, 14 bits resolution, 8ch [voltage (0 - 10V, -10V to + 10V) or current (0 - 22 mA, 4 - 22 mA)]
EH-PT4	PT100/1000 input, 4ch, 12 bits resolution
EH-TC8	Thermocouple input module, 8 channels, type K, E, J, T, B, R, S, N

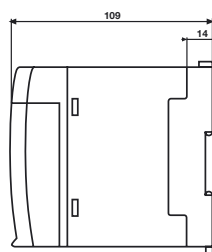
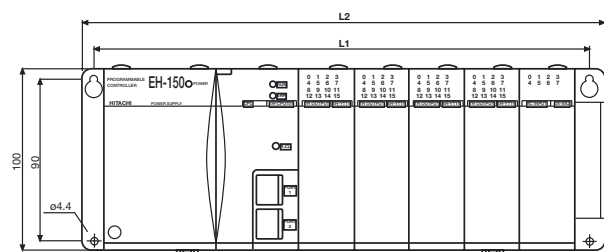
Input Modules

Model	Specifications
EH-XD8	8 points, DC 24 V input, source/sink, photocoupler isolation, removable terminal block
EH-XD16	16 points, DC 24 V input, source/sink, photocoupler isolation, removable terminal block
EH-XD32	32 points, DC 24 V input, source/sink, photocoupler isolation, connector type
EH-XD32E	32 points, DC 24 V input, source/sink, photocoupler isolation, european connector type
EH-XD64	64 points, DC 24 V input, source/sink, photocoupler isolation, connector (2x) type
EH-XA16	16 points, AC 85 - 132 V input, photocoupler isolation, removable terminal block
EX-XAH16	16 points, AC 170 - 264 V input, photocoupler isolation, removable terminal block

Communication Possibilities EH-150



EH-150 Series Dimensions



Unit: mm

Type	EH-BS11A	EH-BS8A	EH-BS5A	EH-BS3A
I/O slot number	11	8	5	3
L1 mm	447	357	267	207
L2 mm	462.5	372.5	282.5	222.5

Hitachi Europe GmbH

Niederkasseler Lohweg 191 · D-40547 Düsseldorf

Tel. +49-211-52 83 -0

Internet: www.hitachi-ds.com

E-Mail: automation.industrial@hitachi-eu.com

