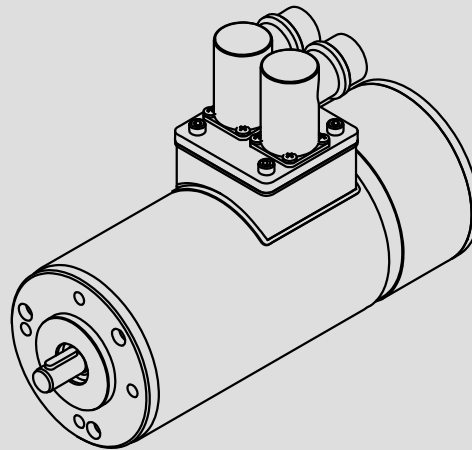


Operating Instructions



SDSGA

Inverter-optimised asynchronous motors



Please read these instructions before you start working!

Follow the safety instructions enclosed.

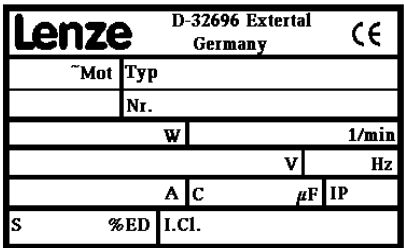
Document history

Material No.	Version			Description
409413	1.0	03/1999	TD09	First edition for pilot series
409413	1.1	04/2001	TD09	Chapter 3.2: Extension of application conditions All chapters: Revised
452930	1.2	04/2002	TD09	Extended by chapter 5.2.1, type and quantity of lubricant
13209536	2.0	04/2007	TD09	Complete revision extended by gearbox type SPL 120
13209536	2.1	05/2009	TD09	Change of address
13612735	3.0	05/2021	TD09	Change of address Supplement to the Ecodesign Directive in accordance with the ErP Directive

Nameplates

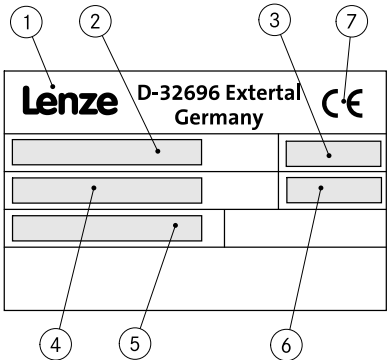
product series SDS□□

Field	Contents	Example	
1	Manufacturer	CE identification	
2	Type of current	Motor type	
3	Date of manufacture	Commission No.	
4	Rated power (W)	Rated speed (1/min)	
5	Rated voltage (V)	Rated frequency (Hz)	
6	Rated current (A)	Rated torque (μ F)	Type of protection (IP)
7	Operating mode	Thermal class	Material No.



Gearbox

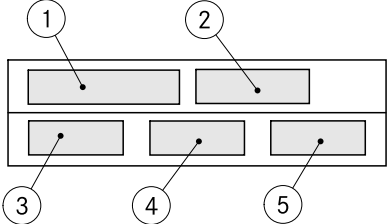
Pos.	Contents
1	Manufacturer
2	Gearbox type
3	Manufacturing date
4	Commission number
5	Torque M_2 [Nm]
6	Ratio
7	CE designation



Brakes

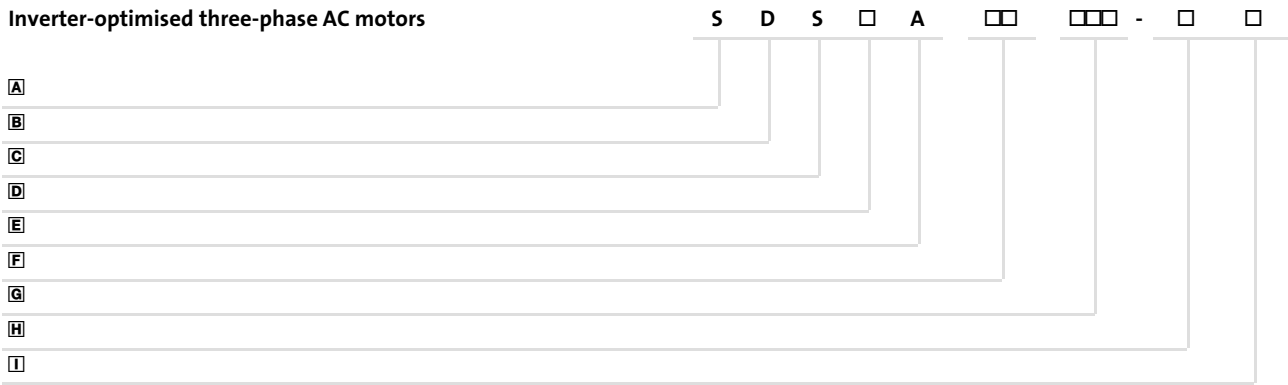
Reference to installed brake

Pos.	Contents
1	Type / size of brake
2	Voltage [V] DC
3	Electrical power [W]
4	Braking torque [Nm]
5	Material number



Product key

Inverter-optimised three-phase AC motors



Legend for SD□G□ type code

A	Product group	S	Small drives
B	Current type	D	Three-phase AC
C	Ventilation	S	Self ventilation (cooling by convection and radiation)
D	Design/housing	G	Smooth housing and round
		R	Ribbed housing, round
E	Machine type	A	Asynchronous machine
F	Built-on accessories	AG	Absolute value encoder
		BA	Brake and sin/cos absolute value encoder or SSI absolute value encoder
		BG	Brake, resolver and incremental encoder
		BI	Brake and incremental encoder (pulse encoder)
		BR	Brake
		BS	Brake and resolver
		BW	Brake, resolver and absolute value encoder
		B	Brake, encoder prepared
		G	No brake, encoder prepared
		XX	No brake, no encoder
		IG	Incremental encoder (pulse encoder)
		RS	Resolver
G	Frame size		
H	Overall length		
I	Number of pole pairs		

1	Preface and general information	6
1.1	About these Operating Instructions	6
1.1.1	Terminology used	6
1.1.2	Scope of supply	6
1.2	Legal regulations	7
2	Safety instructions	8
2.1	Personnel responsible for safety	8
2.2	Residual hazards	8
2.3	Safety instructions for low-voltage machinery	9
2.4	Notes used	12
3	Technical data	13
3.1	Rated data	13
3.1.1	Shaft loads	14
3.2	General data and operating conditions	15
3.2.1	Other application conditions	16
4	Mechanical installation	18
4.1	Transport, storage and installation	18
4.2	Site	19
5	Electrical installation	20
5.1	Attachments	21
5.2	Gearbox mounting	21
5.2.1	Table of lubricants	22
5.2.2	Connection plan for SDSGA inverter motor	24
6	Commissioning	26
6.1	Before switching on	26
6.2	During operation	27
7	Maintenance/repair	28
7.1	Temperature monitoring	28
7.2	Repair	29
8	Troubleshooting and fault elimination	30
9	REGULATION (EU) 2019/1781	31

1 Preface and general information

About these Operating Instructions
Terminology used

1 Preface and general information

1.1 About these Operating Instructions

- ▶ These Operating Instructions inform about safety-relevant working on and with inverter-optimised motors of type SDS. They contain safety instructions which must be observed to enable trouble-free operation.
- ▶ All persons working on and with the inverter-optimised motors of type SDS must have the Operating Instructions available and observe the information and notes relevant for them.
- ▶ The Operating Instructions must always be complete and perfectly readable.

1.1.1 Terminology used

Term	In the following text used for
Motor	Inverter-optimised motor of type SDS
Drive system	Drive system with inverter-optimised motor of type SDS or other Lenze drive components

1.1.2 Scope of supply

- ▶ Mounting instructions

After receipt of the delivery, check immediately whether the items delivered match the accompanying documents. Lenze does not accept any liability for deficiencies claimed at a later date.

Claim

- ▶ visible transport damage immediately to the forwarder.
- ▶ visible deficiencies / incompleteness immediately to your Lenze representative.

1.2 Legal regulations

Labelling	Nameplate	Manufacturer	
	Lenze products are clearly labelled and defined by the indications on the nameplates.	Lenze GmbH & Co KG Kleinantriebe Postfach 10 13 52 D-31763 Hameln	
Application as directed	<p>Drive products</p> <ul style="list-style-type: none"> ● must only be operated under the conditions prescribed in these Instructions. ● must only be used for the ordered and acknowledged application conditions. ● meet the protection requirements of the EC "Low-Voltage Directive". ● are not machines in the sense of the EC Machine Directive. ● must not be used at powers higher or lower than indicated in these Instructions. <p>Drive systems with SDS motors</p> <ul style="list-style-type: none"> ● meet the EC Directive "Electromagnetic compatibility" if they are installed according to the specifications of the CE-typical drive system. ● are applicable: <ul style="list-style-type: none"> – on public and non-public mains, – in industrial as well as residential and commercial premises. ● The end user is responsible for adhering to the EC directives in the machine application. <p>Any other use shall be deemed inappropriate!</p>		
Liability	<ul style="list-style-type: none"> ● The information, data, and notes in these instructions were up to date at the time of printing. Claims referring to motors which have already been supplied cannot be derived from the information, illustrations and descriptions. ● The process-related notes and circuit sections used in these instructions are suggestions whose suitability for the respective application must be checked. Lenze assumes no guarantee for the suitability of the listed procedures and circuit samples. ● These operating instructions describe the product features without guaranteeing them. ● No liability shall be accepted for damage and downtimes resulting from: <ul style="list-style-type: none"> – non-observance of the operating instructions – unauthorised changes or modifications to the motors – operating errors – improper work on and with the motors. 		
Warranty	<ul style="list-style-type: none"> ● Terms of warranty: see terms of sales and delivery of Lenze GmbH & Co KG Kleinantriebe. ● Warranty claims must be made to Lenze immediately after detecting the deficiency or fault. ● The warranty is void in all cases in which liability claims cannot be made. 		
Disposal	Material	Recycle	Dispose
	Metal	●	-
	Plastic	●	-
	Assembled PCBs	-	●
In-house transport	<ul style="list-style-type: none"> ● Transport the motors free of vibration. ● Avoid heavy shocks. ● If possible, use manufacturer's packaging for transport. Cushioned bag ensures: <ul style="list-style-type: none"> – dust protection – moisture protection – mechanical protection 		
Storage conditions	<ul style="list-style-type: none"> ● Storage: <ul style="list-style-type: none"> – free of vibration <ul style="list-style-type: none"> if a certain risk of vibration exists, we recommend to rotate the rotor once per week – dry, in a non-aggressive environment – free of dust – free of extreme temperature changes ● Corrosion: <ul style="list-style-type: none"> – Steel parts are corrosion-protected when being delivered. Do not remove the protection! Check it every three months and, if necessary, renew it. 		

2 Safety instructions

Personnel responsible for safety

2 Safety instructions

2.1 Personnel responsible for safety

Operator

- ▶ An operator is any natural or legal person who uses the drive system or on behalf of whom the drive system is used.
- ▶ The operator or his safety officer must ensure
 - that all relevant regulations, instructions and legislation are observed.
 - that only qualified personnel work with and on the drive system.
 - that the personnel have the Operating Instructions available for all corresponding operations.
 - that non-qualified personnel are prohibited from working with and on the drive system.

Skilled personnel

Skilled personnel are persons who - because of their education, experience, instructions, and knowledge about corresponding standards and regulations, rules for the prevention of accidents, and operating conditions - are authorised by the person responsible for the safety of the plant to perform the required actions and who are able to recognise potential hazards.

(See IEC 364, definition of skilled personnel)

2.2 Residual hazards

Protection of persons

- ▶ Risk of burns!
 - Hot surfaces up to 140 °C during operation! Provide protection against contact.
- ▶ Highfrequency voltages can be capacitively transferred to the motor housing through the inverter supply.
 - Earth motor housing carefully.
- ▶ Risk of injury due to rotating shaft!
 - Before working on the drive system, ensure that the motor is at a standstill.
- ▶ Danger of unintentional starting or electrical shocks!
 - Connections must only be made when the equipment is deenergised and the motor is at standstill.
 - Installed brakes are no fail-safe brakes.
- ▶ Dangerous voltages at the power terminals, even if the plug is removed: residual voltage >60 V!

Motor protection

- ▶ Installed thermal detectors are **no full protection** for the machine.
 - If required, limit the maximum current, parameterise the controller such that it will be switched off after some seconds of operation with $I > I_N$, especially if there is the danger of blocking.
 - Installed overload protection does not prevent an overload under any conditions.
- ▶ Installed brakes are **no fail-safe brakes**.
 - The torque can be reduced due to disruptive factors that cannot be influenced, e.g. by ingressing oil due to a defect shaft sealing ring on the A side.
- ▶ Fuses are no motor protection.
 - Use current-dependent motor protection switches at average operating frequency.
 - Use installed thermal detectors at high operating frequency.
- ▶ In the case of permanent-magnet motors, too high torques cause demagnetisation.
 - The maximum torques according to catalogue must not be exceeded.
- ▶ If deviations from normal operation occur, e.g. increased temperature, noise, vibration, determine the cause and, if necessary, contact the manufacturer. If in doubt, switch off the motor.
- ▶ Design with plug:
 - Never disconnect plug when energised! Otherwise, the plug can be destroyed.
 - Switch off power supply and inhibit controller prior to disconnecting the plug.

Fire protection

- ▶ Fire hazard
 - Prevent contact with flammable substances.

2.3 Safety instructions for low-voltage machinery

in conformity with the Low-Voltage Directive 73/23/EEC

1. General

Low-voltage machines have dangerous, live and rotating parts as well as possibly hot surfaces. All operations serving transport, connection, commissioning and maintenance are to be carried out by skilled, responsible technical personnel (observe prEN 50110-1/VDE 0105; IEC 364). Improper handling can cause severe injuries or material damage.

2. Application as directed

These low-voltage machines are intended for industrial and commercial installations. They comply with the harmonised standards of the series EN 60034 (VDE 0530). Their use in hazardous areas is prohibited unless they are expressly intended for such use (follow additional instructions).

The enclosures \leq IP 23 are by no means intended for outdoor use. Air cooled designs are rated for ambient temperatures between -20°C and $+40^{\circ}\text{C}$ and altitudes of \leq 1000 m amsl. Check indications on the nameplate and, if other observe them. The conditions on site must correspond to all nameplate data.

Low-voltage machines are components for installation in machinery as defined in the Machinery Directive 89/392/EEC. Commissioning is prohibited until conformity of the end product with this Directive has been established (observe i.a. EN 60204-1).

3. Transport, storage

The forwarder must be informed directly after receipt of the goods about all damage or deficiencies; if necessary, commissioning must be stopped. Tighten screwed-in ring bolts before transport. They are designed for the weight of the low-voltage machine, do not apply extra loads. If necessary, use suitable and adequately dimensioned means of transport (e.g. rope guides).

Remove the shipping brace before commissioning. Reuse it for further transports. For storage of low-voltage machines ensure a dry, dust-free and low-vibration ($v_{\text{rms}} \leq 0.2\text{mm/s}$) environment (damage while being stored). Measure the insulation resistance before commissioning. If the values are $\leq 1\text{k}$ per volt of rated voltage, dry the winding.

4. Installation

Ensure an even surface, solid foot or flange mounting and exact alignment if a direct clutch is connected. Avoid resonances with a rotational frequency and double mains frequency which may be caused during installation. Turn rotor by hand, listen for unusual slipping noises. Check the direction of rotation when the clutch is not active (observe section 5).

Use appropriate tools to mount or remove belt pulleys and clutches (heat generation!) and cover them with a touch guard. Avoid excessive belt tensions (technical list).

If required, provide pipe connections. Mounting positions with shaft end at top must be protected with a cover which avoids the ingress of foreign particles into the fan. Free circulation of the cooling air must be ensured. The exhaust air - also of other machines next to the drive system - must not be intaken again immediately.

5. Electrical connection

All operations must only be carried out by qualified and skilled personnel when the low-voltage machine is at standstill and when the machine is de-energised and protected against unintentional restart. This also applies to auxiliary circuits (e.g. anti-condensation heating).

Check safe isolation from the supply!

Exceeding of the tolerances specified in EN 60034-1 (VDE 0530, part 1) - voltage $\pm 5\%$, frequency $\pm 2\%$, wave form, symmetry - leads to excessive temperatures and affects the electromagnetic compatibility. Observe the indications on the nameplate and the diagram in the terminal box.

The connection must ensure a continuous and safe electrical supply (no loose wire ends); use appropriate cable terminals. The connection to the PE conductor must be safe.

The clearance between shining, live parts and earth must not fall below: 8mm at $V_r \leq 550V$, 10mm at $V_r \leq 725V$, 14mm at $V_r \leq 1000V$.

No foreign objects, dirt or moisture in the terminal box. All unused cable entries and the box itself must be sealed against dust and water. For the trial run without output elements, lock the key. Check brake operation before commissioning of low-voltage machines with brakes.

6. Operation

Vibration severities $v_{rms} \leq 3.5 \text{ mm/s}$ ($Pr \leq 15 \text{ kW}$) or 4.5 mm/s ($Pr > 15 \text{ kW}$) are acceptable in coupled mode operation. In case of deviations from normal operation, e.g. increased temperatures, noises, vibration, find the cause and, if necessary, contact the manufacturer. Do not switch off the protection devices, not even for trial runs. Switch off the machine in problematic situations.

If the drive is exposed to dirt, clean it regularly.

Regrease the bearings using the relubrication facility while the low-voltage machine is running. Observe the saponification number. If the grease drain hole is sealed with a plug, (IP54 drive end; IP23 drive and non-drive end), remove the plug before commissioning. Seal the bore holes with grease. Replace the prelubricated bearings (2Z-bearings) after approx. 10,000 h (2pole) or 20,000 h (multi-pole), but no later than after three to four years or according to the manufacturer's instructions.

7. Inverter-driven operation for asynchronous motors

The indications in the terminal box inform about the limit values for the voltage that may be permanently applied to the insulation system of the motor. Example: SDSGA series.

Permissible voltage:

$$\hat{u} \leq 1,5 \text{ kV}$$

$$du / dt \leq 5 \text{ kV} / \mu\text{s}$$

2.4

Notes used

The following pictographs and signal words are used in this documentation to indicate dangers and important information:

Safety instructions

Layout of the safety instructions:



Danger!

(characterises the type and severity of danger)

Note

(describes the danger and gives information about how to prevent dangerous situations)

Pictograph and signal word	Meaning
Danger!	Danger of personal injury through dangerous electrical voltage Reference to an imminent danger that may result in death or serious personal injury if the corresponding measures are not taken.
Danger!	Danger of personal injury through a general source of danger Reference to an imminent danger that may result in death or serious personal injury if the corresponding measures are not taken.
Stop!	Danger of property damage Reference to a possible danger that may result in property damage if the corresponding measures are not taken.

Application notes

Pictograph and signal word	Meaning
Note!	Important note to ensure trouble-free operation
Tip!	Useful tip for easy handling
Reference to another document	Reference to another document

3 Technical data

3.1 Rated data

- ▶ The most important rated data of the motor are indicated on the nameplate.
 - Further technical data can be obtained from the catalogs.
- ▶ The torques and weights indicated in Tab. 2 are guide values for the selection of the transmission elements and base.
- ▶ The rated data indicated on the nameplate refer to operation with Lenze servo inverters of the 9300 series with an inverter input voltage (mains voltage) of 400 V and an inverter frequency of 8 kHz.



Note!

- ▶ The motors can also be connected to inverters others than inverters of the 9300 series:
 - Observe the minimum frequencies (Tab. 1).
 - Depending on the modulation and control performance of the inverter it might be necessary to derate the power if excessive temperatures are detected (see chap. 3.2.1).

Motor type	Min. cycle frequency [kHz]
SD□□A 047...063	8

Tab. 1 Minimum permissible inverter cycle frequencies

3.1.1 Shaft loads

The permissible loads listed in the table (Tab. 2) are either radial forces or axial forces.

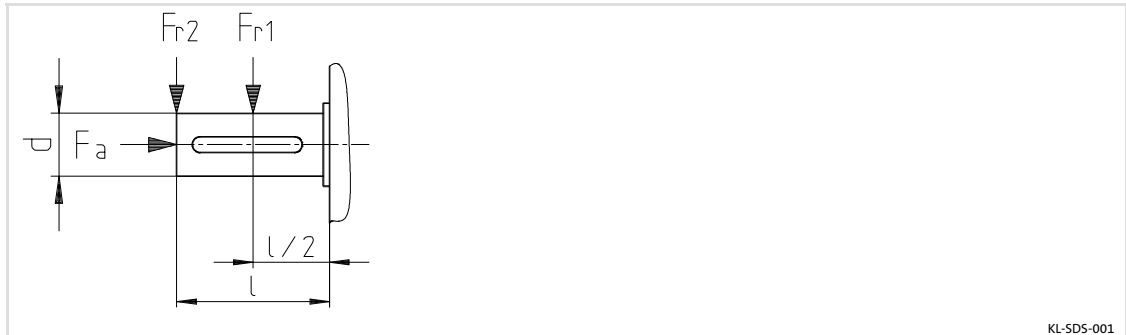


Fig. 1 Points of action of radial and axial loads

F_a Permissible axial load

F_{r1} Permissible radial load, acts on the **middle** of the shaft

F_{r2} Permissible radial load, acts on the **end** of the shaft

Ref. to the nominal bearing service life of 10,000 h

Motor type	P_r shaft	n_r 1/min	n 1/min	M_r Nm	M Nm	J kg cm ²	U V	I_r A	F_{r1}/F_{r2} N	F_a N	λ $\cos \varphi$	f HZ	m_{motor} approx. kg	
SDSGARS□□	047-22	75	6000	2700	0.27	1.0	230/400	0.90/0.52	350/300	250	0.5	100	3.0	
	056-22	240		2790	0.81	3.2		1.404	1.49/0.86	560/530	430		0.714	4.0
	063-22	400		2800	1.35	5.0		2.796	2.12/1.23	650/605	510		0.7	5.3
	063-32	600		2825	1.9	8.0		4.21	3.00/1.74					6.8

Tab. 2 Rated data for standard design

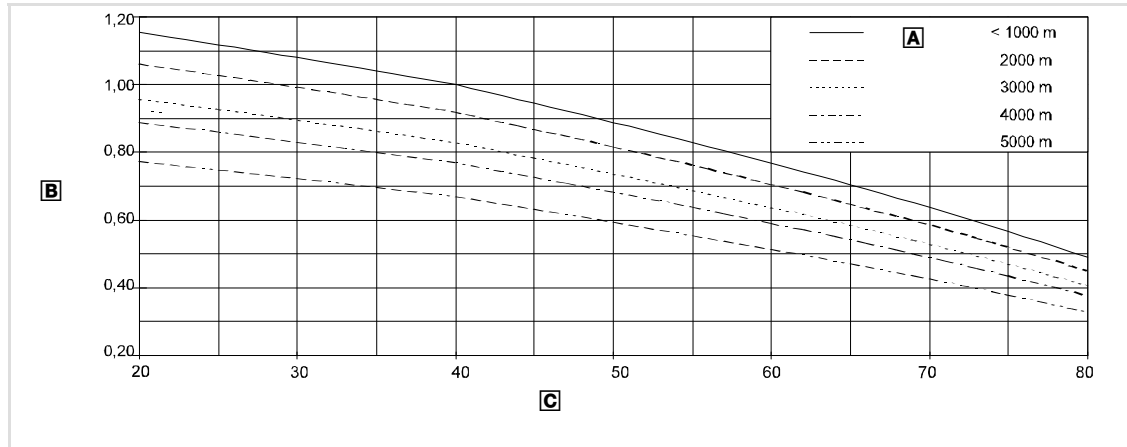
Formula designations			
P_r	Rated power	F_{r1}/F_{r2}	Permissible radial load
M_r	Rated torque	F_a	Permissible axial load
I_r	Rated current	n_r	Rated speed
U	Rated voltage	m_{motor}	Motor weight (mass)
f	Rated frequency	N	max. speed
J	Moment of inertia	M	max. torque
λ	Power factor		

3.2 General data and operating conditions

Field	Values		
Conformity	CE	Low-Voltage Directive (73/23/EEC)	
Climatic conditions	Average relative humidity 85 %, without condensation		
Permissible temperature range	Non-ventilated or with integral fan without brake or with spring-operated brake	-20 °C ... +40 °C	Without power derating, above +40 °C with power derating see catalog
Protection type	See nameplate		Protection types only apply for horizontal installation
Thermal class	F (155 °C) to DIN-IEC 34 / VDE 0530		The insulation will be weakened or destroyed when the limit temperature is exceeded
Tropical insulation	Not guaranteed		
Permissible voltage	1.5 kV peak value		5 kV/μs rate of rise
Vibration	Up to 2.0g / 20m/s ² without resonance excitation, e.g. of the fan.		
Mounting positions	Can be used in all mounting positions		Vertical arrangements to DIN-IEC 34 part 7 are possible if they meet the designs Motors with directly mounted gearbox must not be mounted in mounting position with motor at the bottom
Permissible installation height h	h ≤ 1000 m amsl 1000 m amsl < h ≤ 4000 m amsl		Without power derating With power derating, see catalog

3.2.1 Other application conditions

- ▶ Other application conditions require a power derating or torque reduction using the factors listed in table 2 and 3 (see below).



- Ⓐ Installation height
- Ⓑ Permissible continuous torque M_{perm}/M_{cont} 40 °C 1000 m
- Ⓒ Cooling air / ambient temperature [°C]

**Stop!**

- ▶ The motor will be destroyed when the maximum motor speed is exceeded
- ▶ Do not exceed the maximum torques specified in Tab. 2!
 - Torques as high as indicated can be reached through appropriate motor-controller combinations.
 - Excessive torques might result in a break of the motor shaft!

**Note!**

- ▶ Excessive axial and radial forces reduce the bearing service life.
 - Observe the permissible forces to Tab. 2!
 - Calculation basis:
Bearing service life $L_{h10} = 10000$ h
Torque $M = 2.5 M_r$

The permissible continuous power is calculated as follows:

$$P' = k_v \times k_h \times P_d$$

with P_c being the permissible continuous power under normal conditions. A corresponding relation applies to the torque:

$$M' = k_v \times k_h \times M_d$$

with M_c being the permissible continuous torque under normal conditions.

3.2.1.1 Power derating

Power derating for other application conditions					
Cooling air temperature t_{C} 1)	40	45	50	55	60
Power derating k_v 1)	1.00	0.95	0.90	0.83	0.77
Installation height amsl in m 2)	1000	2000	3000	4000	5000
Power derating k_h 2)	1.00	0.92	0.83	0.77	0.67

1) Derating for other ambient and cooling air temperatures

2) Derating for other installation heights

4 Mechanical installation

Transport, storage and installation

4 Mechanical installation

4.1 Transport, storage and installation



Danger!

- ▶ Use appropriate means of transport or hoists:
 - Ensure safe fixing.
- ▶ Transport the motors free of vibrations.
- ▶ Avoid heavy shocks.

Storage

- ▶ free of vibration
 - if a certain risk of vibration exists, we recommend to rotate the rotor once per week
- ▶ dry, in a non-aggressive environment
- ▶ free of dust
- ▶ free of extreme temperature changes

Corrosion

- ▶ Steel parts are corrosion-protected when being delivered. Do not remove the protection! Check it every three months and, if necessary, renew it.

Installation

The motors are tested for operation and are ready for use.

Preparations

- ▶ Remove the corrosion protection from the steel parts.
- ▶ Check for transport damage and fix key, if necessary!
- ▶ The mounting depends on the motor design, the weight and the motor torque.
- ▶ Before mounting the motor, foot and flange surfaces must contact the mounting surfaces evenly. Insufficient motor alignment reduces the service life of the bearings and the transmission elements!
- ▶ Clutches and other transmission elements must be mounted according to the corresponding instructions. Avoid shocks onto the shafts and do not exceed the permissible radial and axial forces to avoid damage to the bearings!
- ▶ Provide sufficient space for unimpeded ventilation.

4.2

Site



Danger!

Do not use in hazardous areas!

The motors are designed for the following rated conditions:

- ▶ Ambient and cooling air temperatures up to +40 °C (in case of other temperatures see chapter 3.2.1).
- ▶ Installation height up to 1000 m amsl (in case of other installation heights see chapter 3.2.1).
- ▶ Ensure unimpeded ventilation!
- ▶ The exhaust air must not be intaken again!
- ▶ Operation within the permissible control range for self-ventilated motors.

5 Electrical installation



Danger!

- ▶ Electrical connection must only be carried out by skilled personnel!
- ▶ Connections must only be made when the equipment is de-energised!
Danger through unintended starts or electric shocks.



Stop!

- ▶ It must be ensured that the supply voltage corresponds to the nameplate data.
- ▶ Voltages must be adapted to the local environment!

Voltage supply

- ▶ Inverter-optimised motors
 - must be supplied by inverters.
 - connect the encoders mounted to the motor with the corresponding connections of the inverter.
- ▶ Holding brake (as option)
- ▶ Follow the Operating Instructions for the inverter used to connect it.

Cable cross-section

- ▶ Select appropriate connection cables to avoid impermissible heating (DIN 57100/VDE 0100 T523).
- ▶ When extremely long cables are used, we recommend to use the next cable cross section up to reduce the power losses. Observe the minimum cross sections to DIN VDE 0298-4.
- ▶ Establish the electrical connection as shown in the circuit diagram attached to each motor. The circuit diagrams for the standard designs can be found in chapter LEERER MERKER.

Motor protection

- ▶ The motor cable cannot be protected by temperature monitorings or PTC thermistors in the motor winding:
 - Take measures to DIN 57100 / VDE 0530.
- ▶ The inverter changes current and voltage such that the output current can be considerably higher than the input current. The motor cable cannot be protected via the mains input fuses of the inverter:
 - Take measures to DIN 57100 / VDE 0530.
- ▶ Ensure careful earthing of the motor housing!
 - If the motor is inverter driven, high-frequency voltages may be capacitively transferred to the motor housing.

5.1 Attachments



Danger!

Ensure that the drives are disconnected from the power supply when working on them!



Stop!

- ▶ Unload motors or secure load applied to the drive.
- ▶ Do not use hammers or other heavy tools for assembly or disassembly!

Motors with B-side attachments (brakes and/or encoders) are assembled, electrically connected and tested for operation. Observe the corresponding Operating Instructions!

5.2 Gearbox mounting



Stop!

- ▶ Do not exceed the permissible radial and axial forces to avoid damage to the bearings!
- ▶ All shaft seals must be generally equipped with a mounting sleeve to avoid damage to the seal lips.

Worm gearbox type SSN

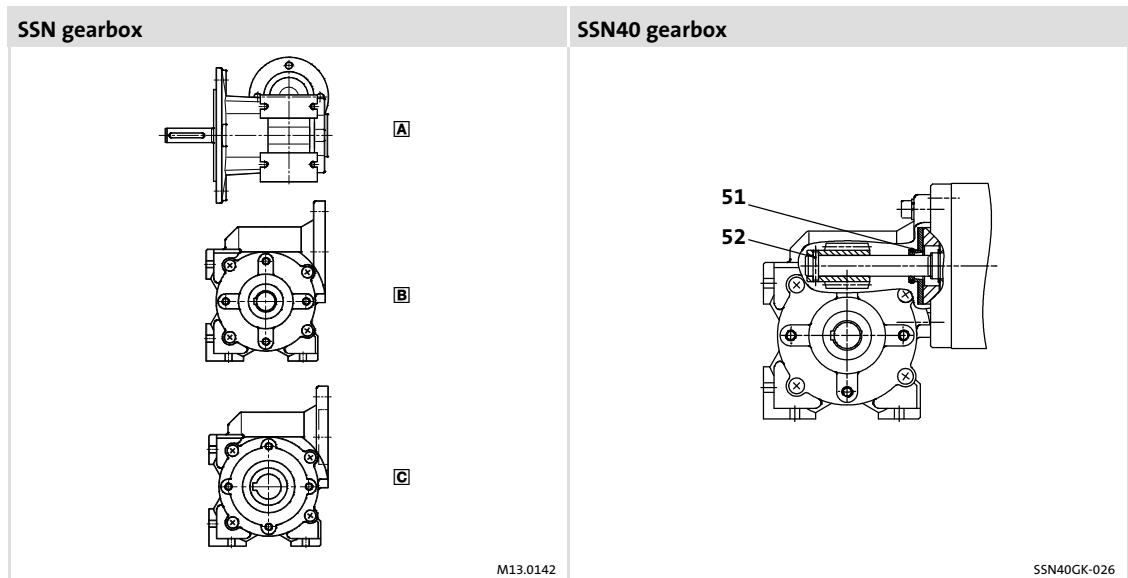


Fig. 2 Worm gearbox

- A** Solid shaft design with flange
- B** Solid shaft design without flange
- C** Hollow shaft design

**Stop!**

After the shaft seal (51) has been mounted, mount the worm. Ensure stability of the motor shaft end when pinning (50).

Use the screws and washers in the assembly kit for the motor to mount the gearbox to the motor:

5.2.1

Table of lubricants

Gearbox type	Type of lubricant	Quantity [ml]
SSN31-1FVAL	CLP PG460	60
SSN31-1FVAR		40
SSN31-1FDAR		40
SSN31-1FHAR		40
SSN40-1FVAL		120
SSN40-1FVAR		80
SSN40-1FDAR		80
SSN40-1FHAR		80

Planetary gearbox type SPL

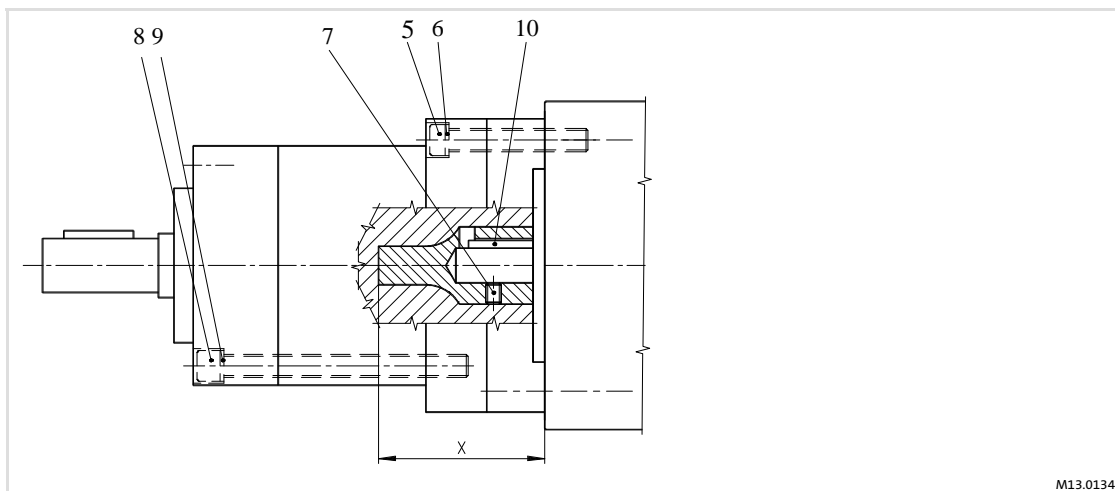


Fig. 3

- | | | | |
|---|------------------------|----|--------------------------------|
| 5 | Screw | 8 | Screw |
| 6 | Washer | 9 | Washer |
| 7 | Setscrew | 10 | Key (not applicable for SPL42) |
| 7 | Spring pin (for SPL42) | | |

Gearbox type / size	Dimensions	
	Flange size	Dimension x in mm
SPL42	---	31
SPL52	C80	38.6
SPL62	C80 / C90	43 / 43
SPL81	C90 / C105	51.6 / 58.6
SPL120	C105	73.7

- When using a planetary gearbox, the force is transmitted from the gearbox to the motor by means of a key (does not apply to type SPL 42!).



Stop!

For IP55 use a fluid sealant between mounting flange and gearbox (e.g. Loctite).

5 Electrical installation

Gearbox mounting
Connection plan for SDSGA inverter motor

5.2.2 Connection plan for SDSGA inverter motor

Parameter settings for 9300 servo inverters



Note!

More detailed information on wiring according to EMC guidelines can be obtained from the Operating Instructions for Lenze 9300 servo inverters.

Code	Meaning	Setting							
		SDSGA□□047-22		SDSGA□□056-22		SDSGA□□063-22		SDSGA□□063-32	
		Y	Δ	Y	Δ	Y	Δ	Y	Δ
C0006	Servo asynchronous (Y)	2	22	2	22	2	22	2	22
C0025	Resolver	RsX							
C0081	Pr (kW)	0.075		0.24		0.40		0.60	
C0084	Rphase (Ohm)	72		20.9		10		8.5	
C0085	Xleak (mH)	267		103		50		26	
C0086	COMMON	0							
C0087	nr (1/min)	2700		2790		2800		2825	
C0088	Ir (A)	0.52	0.90	0.86	1.50	1.23	2.12	1.74	3
C0089	fr (Hz)	100							
C0090	Ur (V)	390	230	390	230	390	230	390	230
C0091	cos phi	0.50		0.70					

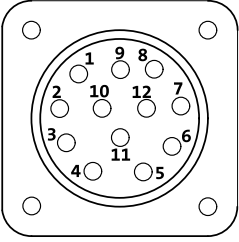
... for motor and brake

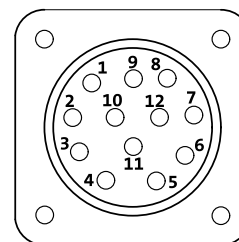
Inverter motor	Pin No.	Connection name	Connection to:	Pin assignment
SDSGA□□047-22 SDSGA□□056-22 SDSGA□□063-22 SDSGA□□063-32	1	Y1	Brake	
	2	Y2		
	PE	PE	Circuit breaker	
	4	U	Motor phase	
	5	V		
	6	W		

... for resolver and thermal contact

Inverter motor	Pin No.	Connection name	Connection to:	Pin assignment
SDSGA□□047-22 SDSGA□□056-22 SDSGA□□063-22 SDSGA□□063-32	1	+ Ref	Resolver	
	2	- Ref		
	3		Resolver	
	4	+ Cos		
	5	- Cos		
	6	+ Sin		
	7	- Sin		
	8			
	9			
	10			
	11	+	KTY/thermal switch	
	12	-		

... for absolute value encoder/incremental encoder and thermal contact

Inverter motor	Pin No.	Connection name	Connection to:	Pin assignment
SDSGA□□047-22 SDSGA□□056-22 SDSGA□□063-22 SDSGA□□063-32	1	B	Track B / + SIN	
	2	\bar{A}	Track A inverted / - COS	
	3	A	Track A	
	4	+ 5 V	Supply + 5V + 8V	
	5	GND	Ground	
	6	\bar{Z}	Zero track inverted / - RS485	
	7	Z	Zero track / + RS485	
	8		Not assigned	
	9	\bar{B}	Track B inverted / - SIN	
	10		Not assigned	
	11	+ KTY	Temperature sensor +	
	12	-KTY	Temperature sensor -	



6 Commissioning



Stop!

- ▶ Ensure that the drives are disconnected from the power supply when working on them!
- ▶ The drive must only be commissioned by qualified personnel!
- ▶ Do not use the drive in rooms exposed to explosion danger!
- ▶ Danger of fire! Do not use flammable detergents or solvents to clean the drive.
- ▶ Avoid overheating! Deposits and dirt on the drives impede the necessary heat dissipation and must be removed frequently.

Ensure that no foreign particles ingress into the motor!

6.1 Before switching on

- ▶ Before commissioning
- ▶ Before commissioning after a longer standstill
- ▶ Before commissioning after repair and maintenance of the motor



Stop!

Commission the drive system according to the Operating Instructions for the controller.

Check:

- ▶ Are the mechanical and electrical mountings and fixings o.k.?
- ▶ Are the electrical connections o.k.?
- ▶ Is the cooling air circulation o.k.?
- ▶ Is the protection against overheating (temperature monitoring evaluation) o.k.?
- ▶ Is the motor connected correctly?
- ▶ Does the parameter setting correspond to the motor (see Operating Instructions for the controller)?

6.2 During operation



Stop!

- ▶ Fire hazard! Do not clean or spray motors with flammable detergents or solvents.
- ▶ Avoid overheating! Deposits on the drives impede the heat dissipation required and have to be removed regularly.



Danger!

During operation, motor surfaces must not be touched. According to the operating status, the surface temperature for motors can be up to 140°C. For the protection against burn injuries, provide protection against contact, if necessary. Observe cooling-off times!

- ▶ Depending on the application conditions, the drive must be checked frequently during operation.

Please observe particularly:

- unusual noises or temperatures,
 - loose fixing elements,
 - the condition of the electrical cables,
 - oil drops or leakages,
 - extreme vibrations, or similar,
 - changes in speed
 - impeded heat dissipation or deposits on the drive system and in the air ducts.
- ▶ In the event of faults, please see the table in chapter 8. If the fault cannot be eliminated, please contact the Lenze Service.

7 **Maintenance/repair**



Danger!

- ▶ Ensure that no voltage is applied to the drive system while working on it!
- ▶ High temperatures of the motor surfaces. Observe cooling times!
- ▶ Unload motor or secure loads which are applied to the drive!
- ▶ Ensure that no foreign particles ingress into the motor!

7.1 **Temperature monitoring**

If the surface temperatures are higher than usual, it might be necessary to check the actual winding temperature:

- ▶ Detect the winding temperature by means of a 4-conductor resistance measurement at the motor power connections.
- ▶ The resistance should be measured immediately after switch-off and standstill of the motor.

Procedure

1. Remove the plug-in connector X10. For terminal box designs, interrupt the power supply between inverter and motor.
2. Measure the resistance between the following contacts or terminals:
 - Plug-in connector X10:
Contacts 4↔5, 5↔6 and 6↔4
 - Terminal box X11:
Terminals 1↔2, 2↔3 and 3↔1
3. The mean value calculated from three measuring values equals the double phase resistance (star connection).
 - Enter the mean value as "R₂" in the following formula and calculate the winding temperature "ϑ₂" ("R₁" from Tab. 3):

$$\vartheta_2 [^{\circ}\text{C}] = \frac{R_2 \times 255}{R_1} - 235$$

Motor type	Winding resistance	
	Δ 230V	Y 390V
SDSG□□□047	28.7	86
SDSG□□□056	13.1	39.6
SDSG□□□063-22	6.7	20
SDSG□□□063-32	3.8	11.4

Tab. 3 Winding resistances of servo motors (between two terminals)

7.2 Repair

- ▶ We recommend having all repairs carried out by the Lenze Service department.

8 Troubleshooting and fault elimination

- ▶ If faults occur during operation, take the following steps:
 - Check the possible causes of the faults by means of the following table.
 - Please observe the corresponding chapters in the Operating Instructions for the other components of the drive system.
- ▶ If the fault cannot be eliminated by one of the measures listed in these Operating Instructions, please contact the Lenze Service.

Fault	Cause	Remedy
Motor does not start	Voltage supply interrupted	<ul style="list-style-type: none"> ● Check error message at the controller ● Check electrical connection (chapter 5)
	Controller inhibited	<ul style="list-style-type: none"> ● Check display at drive controller ● Check controller enable
	Resolver cable is interrupted	<ul style="list-style-type: none"> ● Check error message at the controller ● Check resolver cable
	Brake does not release	Check electrical connection Check continuity of magnetic coil
	Drive blocks	Check components for easy movement, remove foreign particles if necessary
Motor suddenly stops and does not restart	Overtemperature protector switch is activated	<ul style="list-style-type: none"> ● Let motor cool down <ul style="list-style-type: none"> – Reduce the load by prolonging the acceleration times
	Overload monitoring of the inverter is activated	<ul style="list-style-type: none"> ● Check controller settings ● Reduce the load by prolonging the acceleration times
Incorrect direction of rotation of the motor, correct display on the controller	Reversed motor cable and resolver cable	Exchange 2 phases of the motor cable and the +COS/-COS connections of the resolver
Motor rotates slowly in one direction and cannot be influenced by the controller	Polarity reversal of motor or resolver cable	Exchange 2 phases of the motor cable or the +COS/-COS connections of the resolver
Motor does not rotate, gearbox output is not running	Defective wheel-hub connection	Check the connection, replace the keyway, if necessary, repair by the manufacturer
	Toothing worn out	Repair by manufacturer
Irregular running	Insufficient shielding of motor or resolver cable	Check shielding and grounding (chapter 5)
	Drive controller gain too large	Adjust the gains of the controllers (see Drive controller operating instructions)
Vibrations	Insufficiently balanced coupling elements or machine	Rebalance
	Poor alignment of the drive train	Realign machine unit, check foundation if necessary
	Loose fixing screws	Check and tighten screw connections
Running noises	Foreign particles inside the motor	Repair by manufacturer, if necessary
	Bearing damage	Repair by manufacturer, if necessary
Surface temperature > 150 °C	Overload of the drive	Check load and, if necessary, reduce load by prolonging the acceleration times
	Heat dissipation impeded by deposits	Clean surface and cooling fins of the drives

9 REGULATION (EU) 2019/1781

SDSGA asynchronous servo motor

Product information acc. to REGULATION (EU) 2019/1781 (ANNEX I, Section 2)

Rated efficiency at full load	η_N	%	-	-	-	-
Efficiency at 75 % rated load	η	%	-	-	-	-
Efficiency at 50 % rated load	η	%	-	-	-	-
Efficiency level						
Manufacturer's name	Lenze SE · Hans-Lenze-Str. 1 · 31855 Aerzen · GERMANY					
Commercial registration number	Hannover HRB 204803					
Product's model identifier			SDS□A□□047-22	SDS□A□□056-22	SDS□A□□063-22	SDS□A□□063-32
Number of poles of the motor						
Rated power output	P_N	kW				
Rated input frequency	f_N	Hz	-	-	-	-
Rated voltage	U_N	V	-	-	-	-
Rated speed	n_N	rpm	-	-	-	-
Number of phases of the motor						
Altitudes above sea-level		m				
Ambient air temperature		°C				
Maximum operating temperature		°C				
Potentially explosive atmospheres						
Reason for exemption from efficiency requirements			The motors are completely enclosed and self-cooled (TENV motors).			

□ Placeholder for product variants



© 05/2021



Lenze SE
Postfach 10 13 52 · 31763 Hameln
Hans-Lenze-Str. 1 · 31855 Aerzen
GERMANY
Hannover HRB 204803



+49 5154 82-0



+49 5154 82-2800



sales.de@lenze.com



www.lenze.com

Service

Lenze Service GmbH
Breslauer Straße 3 · 32699 Extertal

GERMANY



008000 2446877 (24 h helpline)



+49 5154 82-1112



service.de@lenze.com

BA 13.0008 - EN ■ 13612735 ■ 3.0 ■ TD09

10 9 8 7 6 5 4 3 2 1